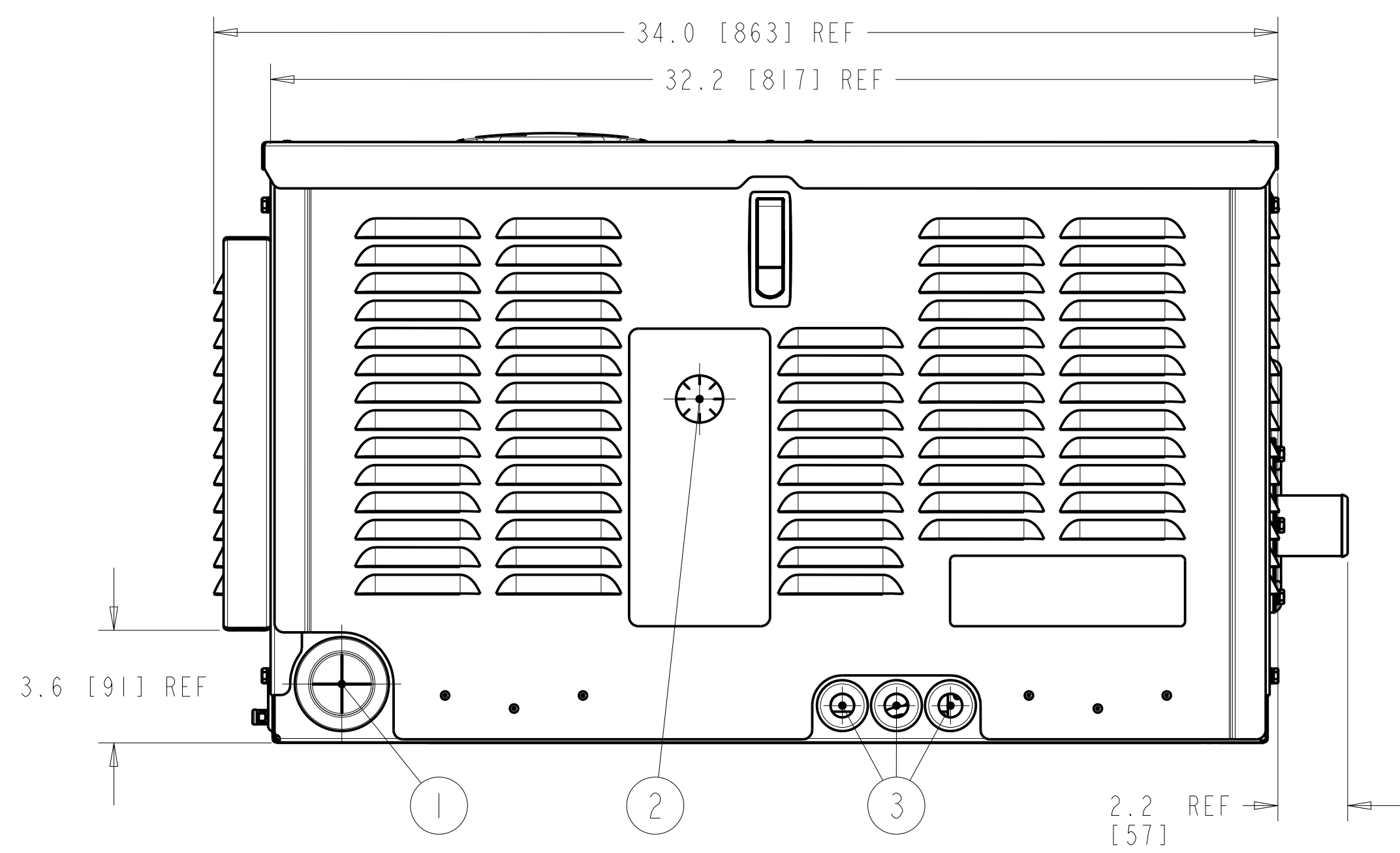
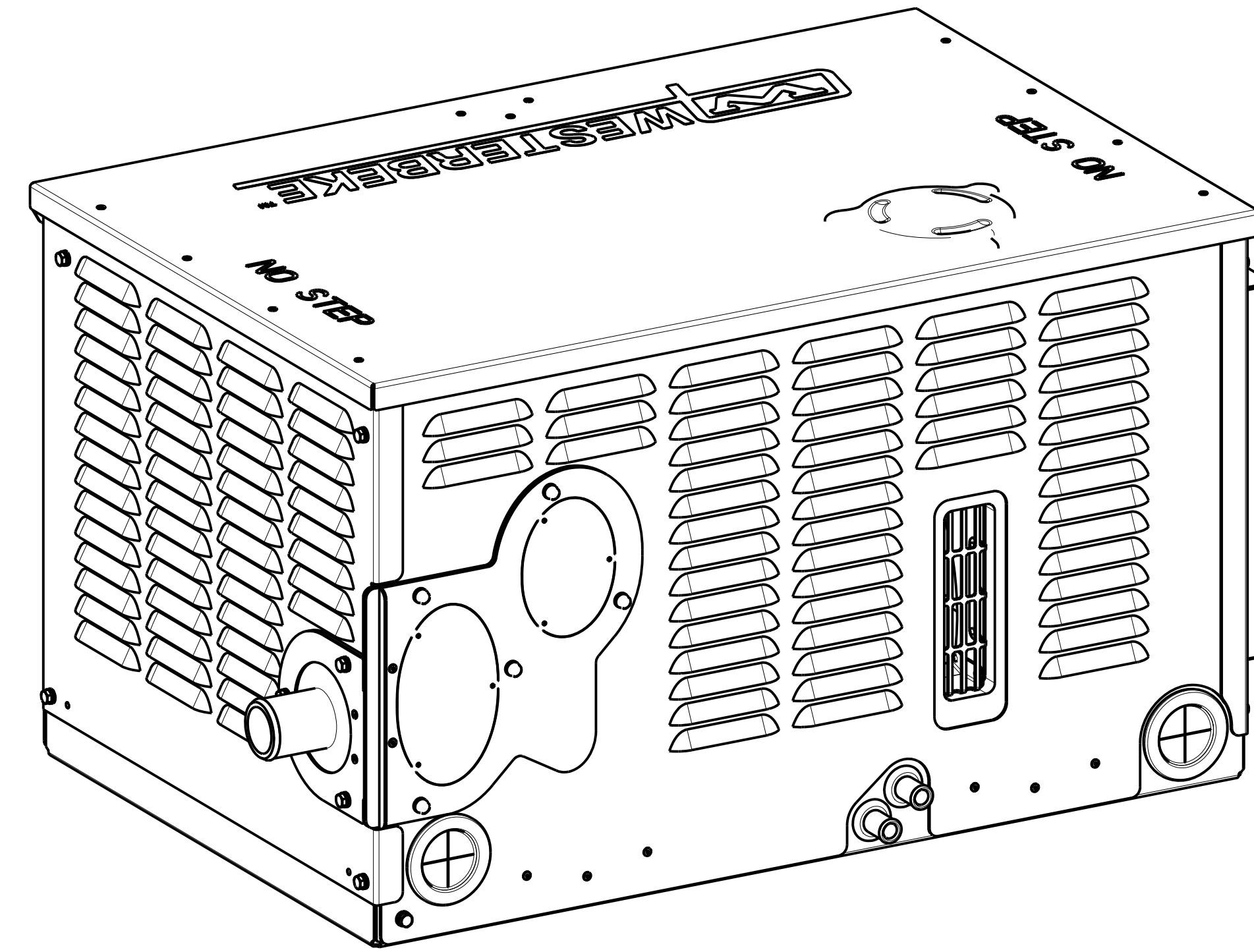
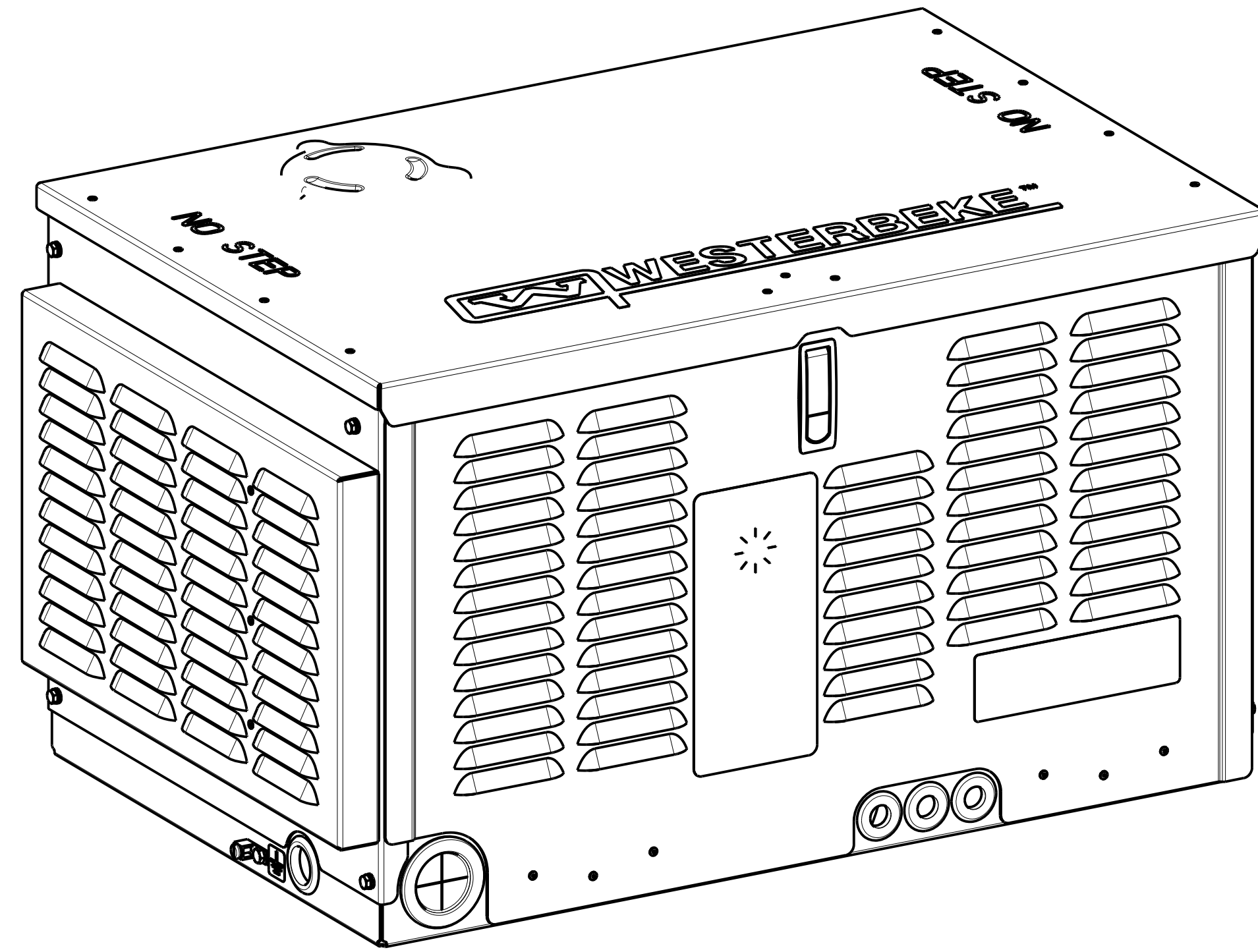
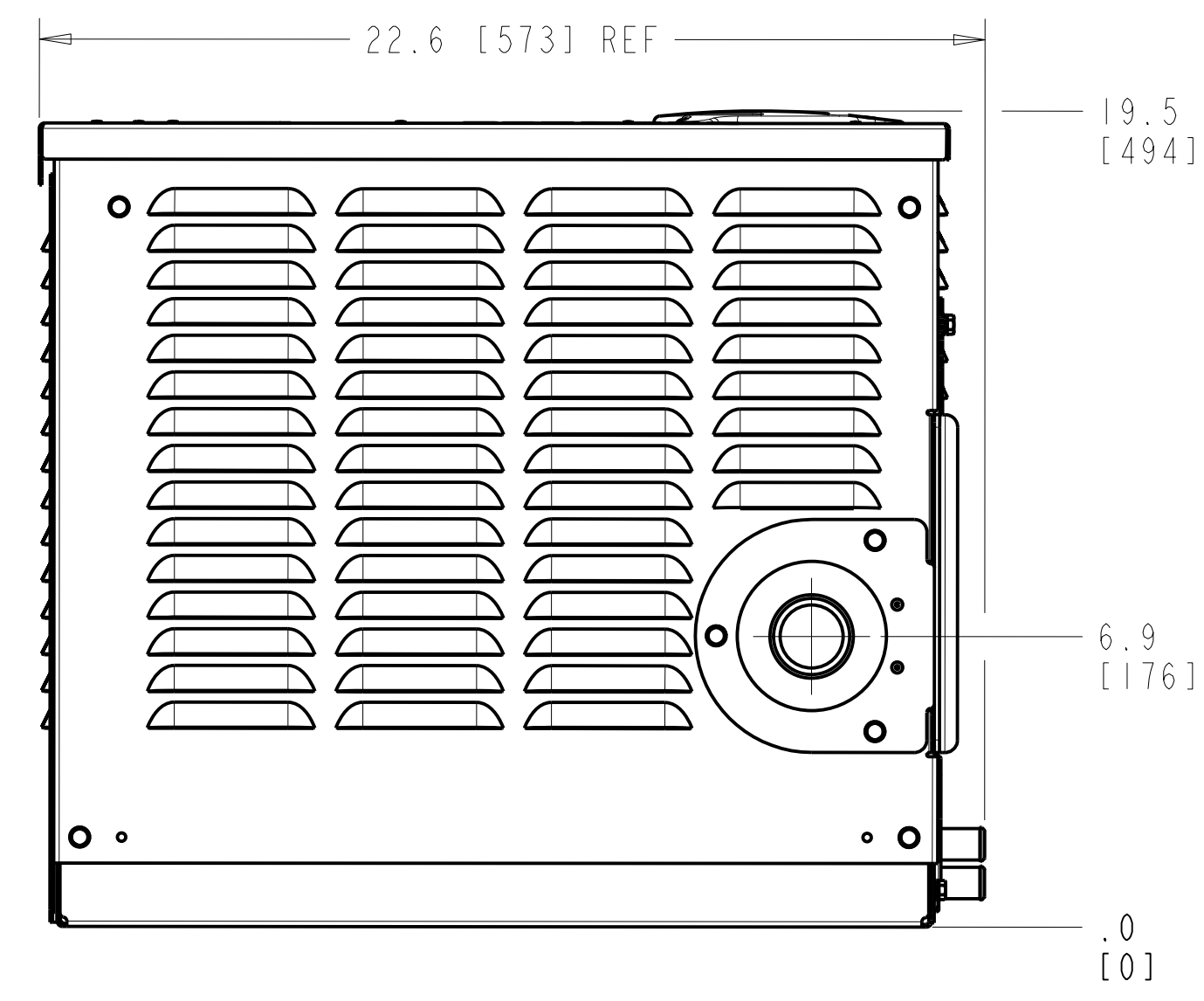


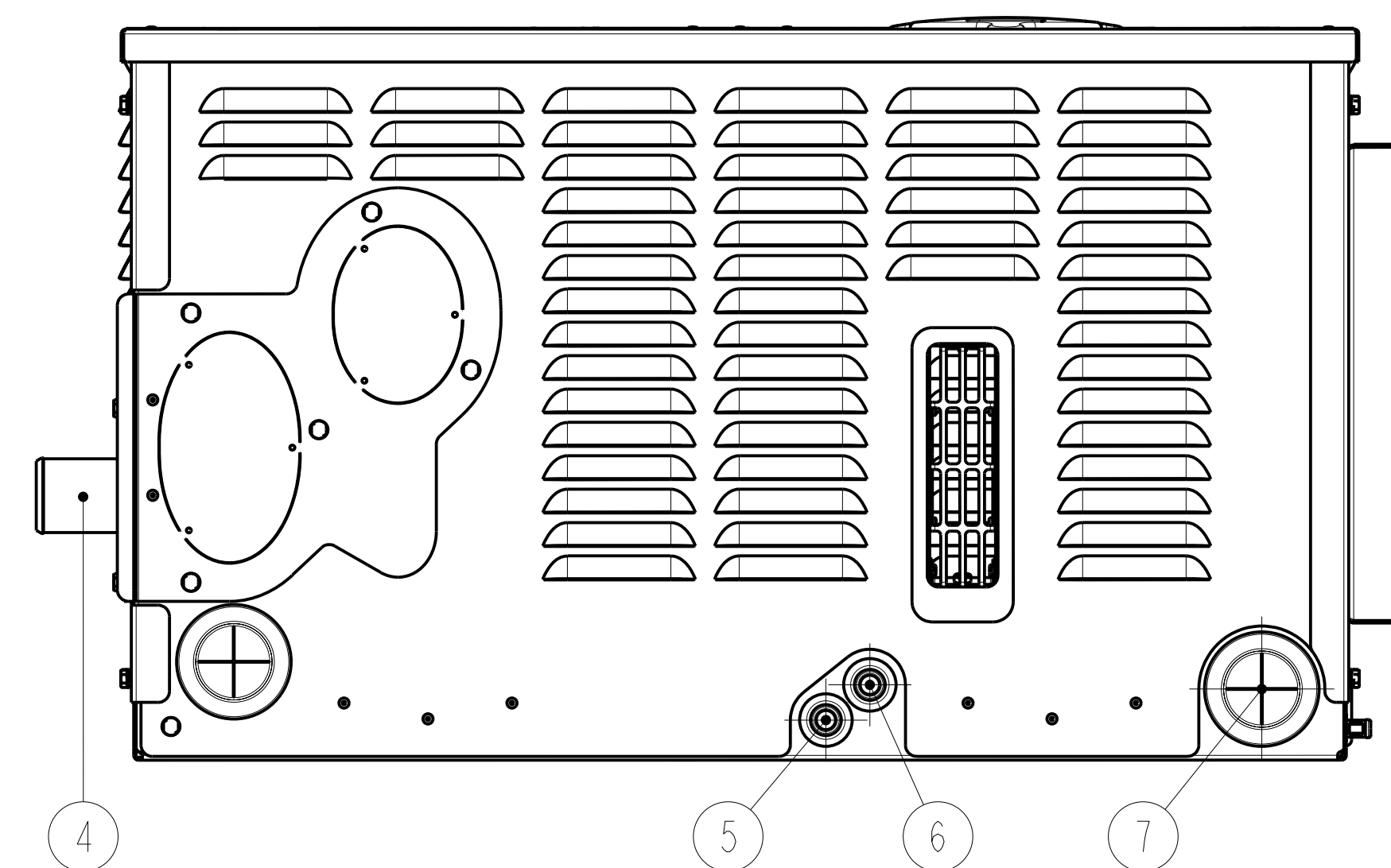
TOP



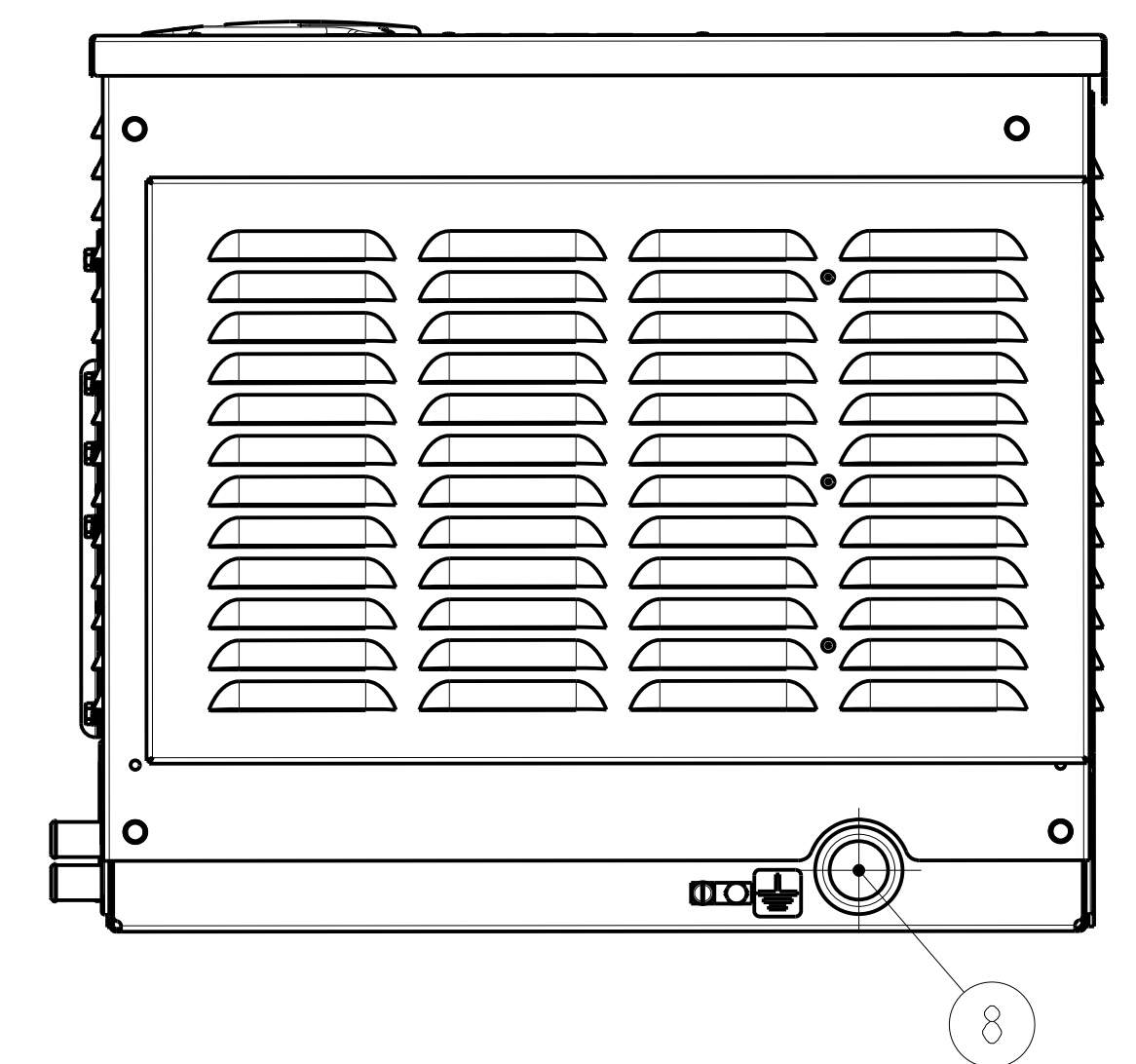
SERVICE SIDE



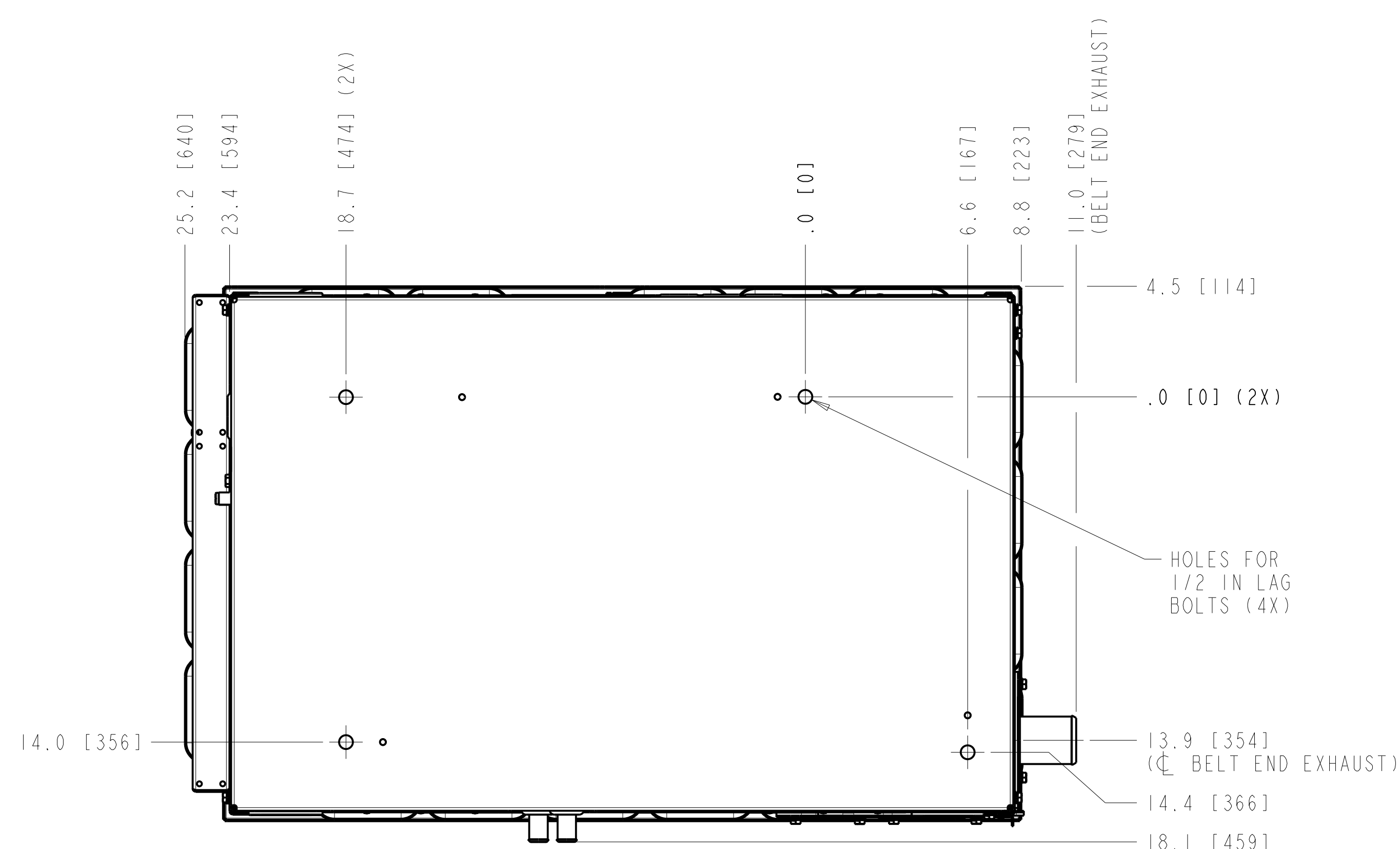
BELT END



NON-SERVICE SIDE



GENERATOR END



BOTTOM

ITEM	CONNECTIONS
1	REMOTE PANEL CABLE PASS-THROUGH FIRE BOY CABLE PASS-THROUGH
2	FIRE EXTINGUISHER PORT
3	BATTERY (NEG) CABLE PASS-THROUGH BATTERY (POS) CABLE PASS-THROUGH FUEL LINE PASS-THROUGH, REQUIRES 1/8-27 NPT MALE TO CONNECT TO GENSET INTERNALLY
4	WET EXHAUST, REQUIRES 2 IN ID HOSE TO CONNECT
5	RAW WATER OUTLET (TO SIPHON BREAK), REQUIRES 3/4 IN ID HOSE TO CONNECT
6	RAW WATER INLET (FROM SIPHON BREAK), REQUIRES 3/4 IN ID HOSE TO CONNECT
7	AC POWER CABLE PASS-THROUGH COOLANT OVERFLOW PASS-THROUGH, REQUIRES 5/16 IN ID HOSE TO CONNECT TO GENSET INTERNALLY
8	RAW WATER INLET PASS-THROUGH, REQUIRES 3/4 IN ID HOSE TO CONNECT TO GENSET INTERNALLY
9	ACCESS TO A/C CIRCUIT BREAKER

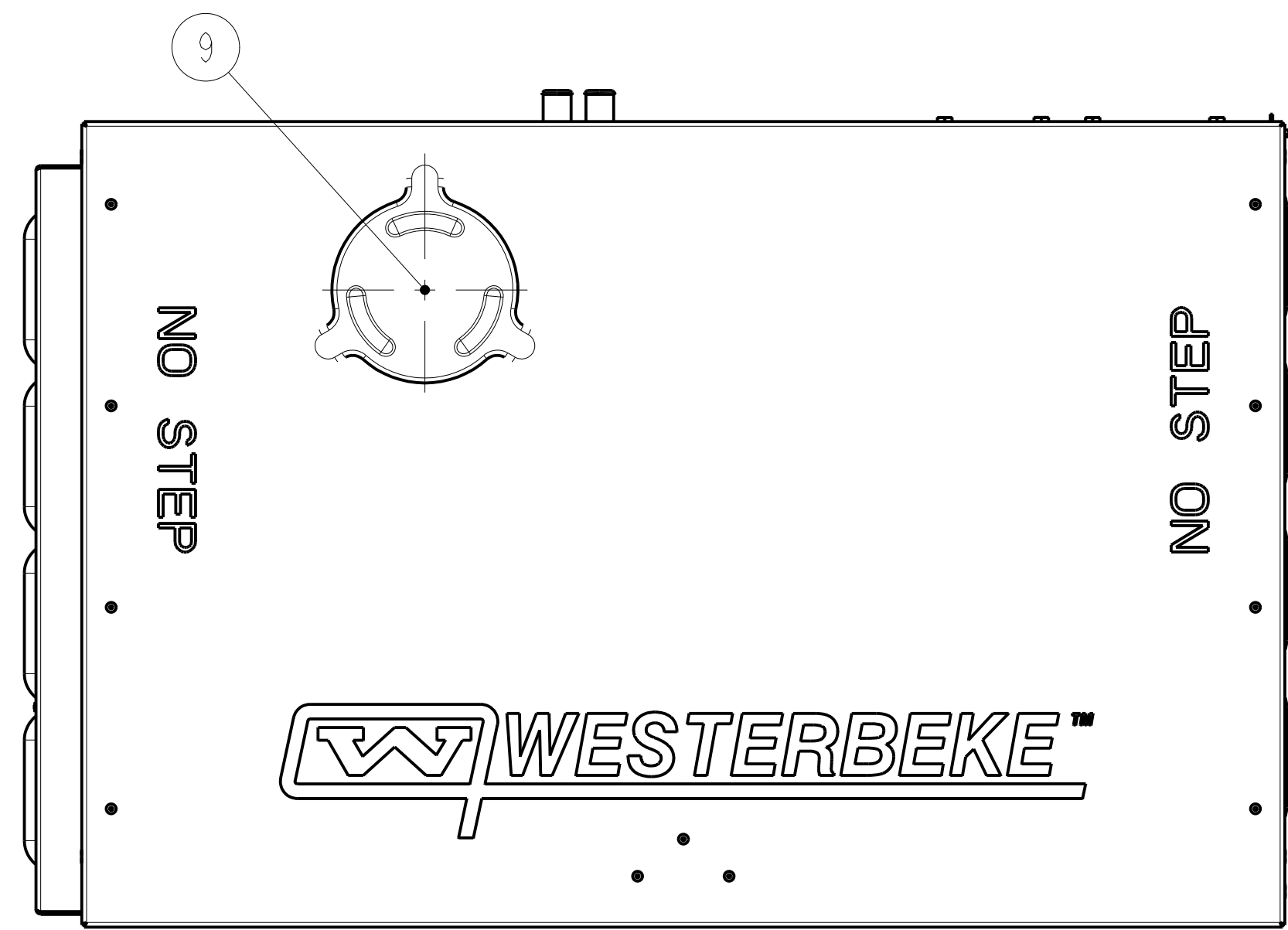
NOTES (UNLESS OTHERWISE SPECIFIED)
1. UNIT OF DIMENSIONS: INCH [MM]
2. TOLERANCE: ±.375 [9.5]

WESTERBEKE CORPORATION
TAUNTON, MA. 02780

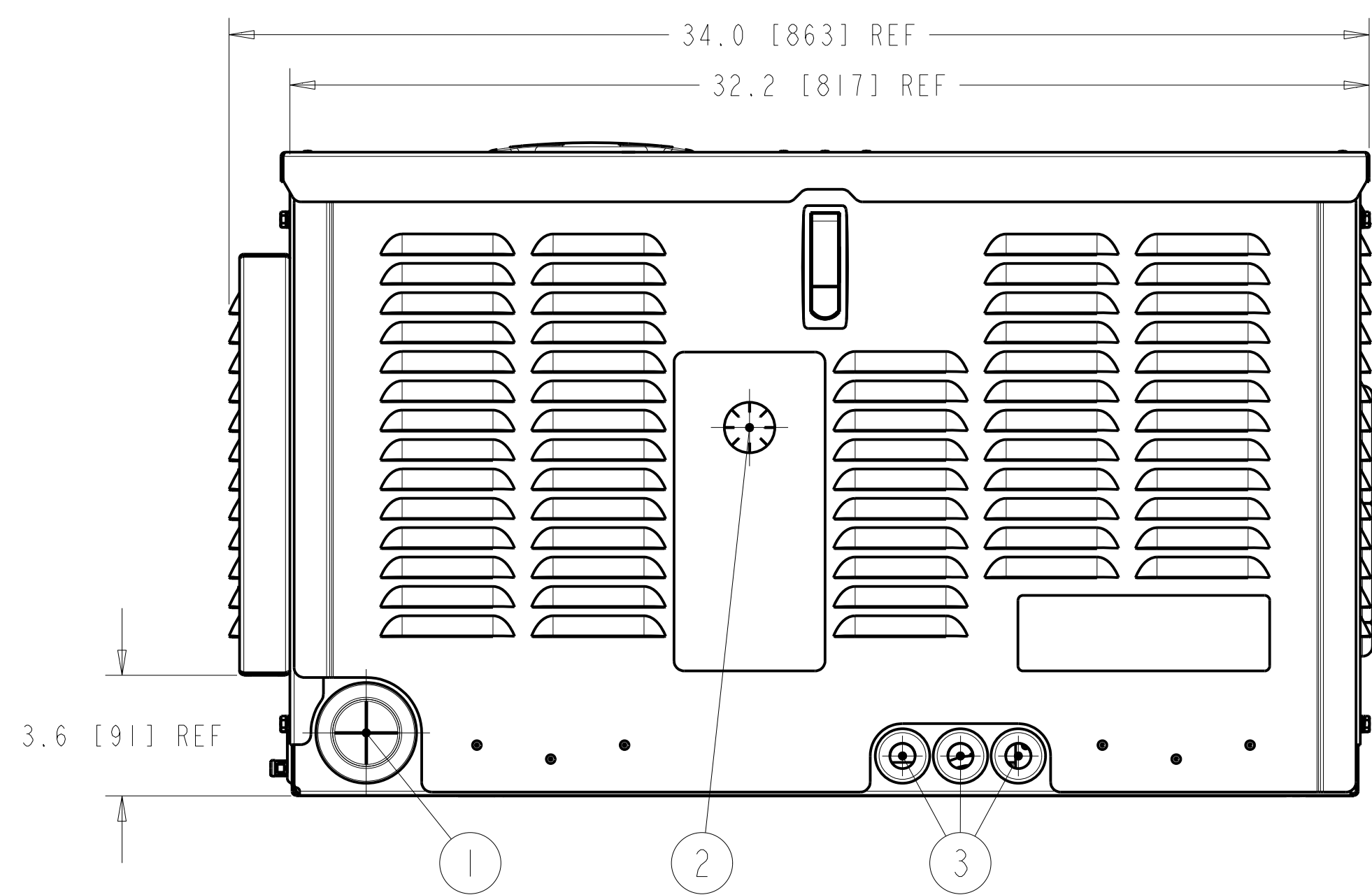
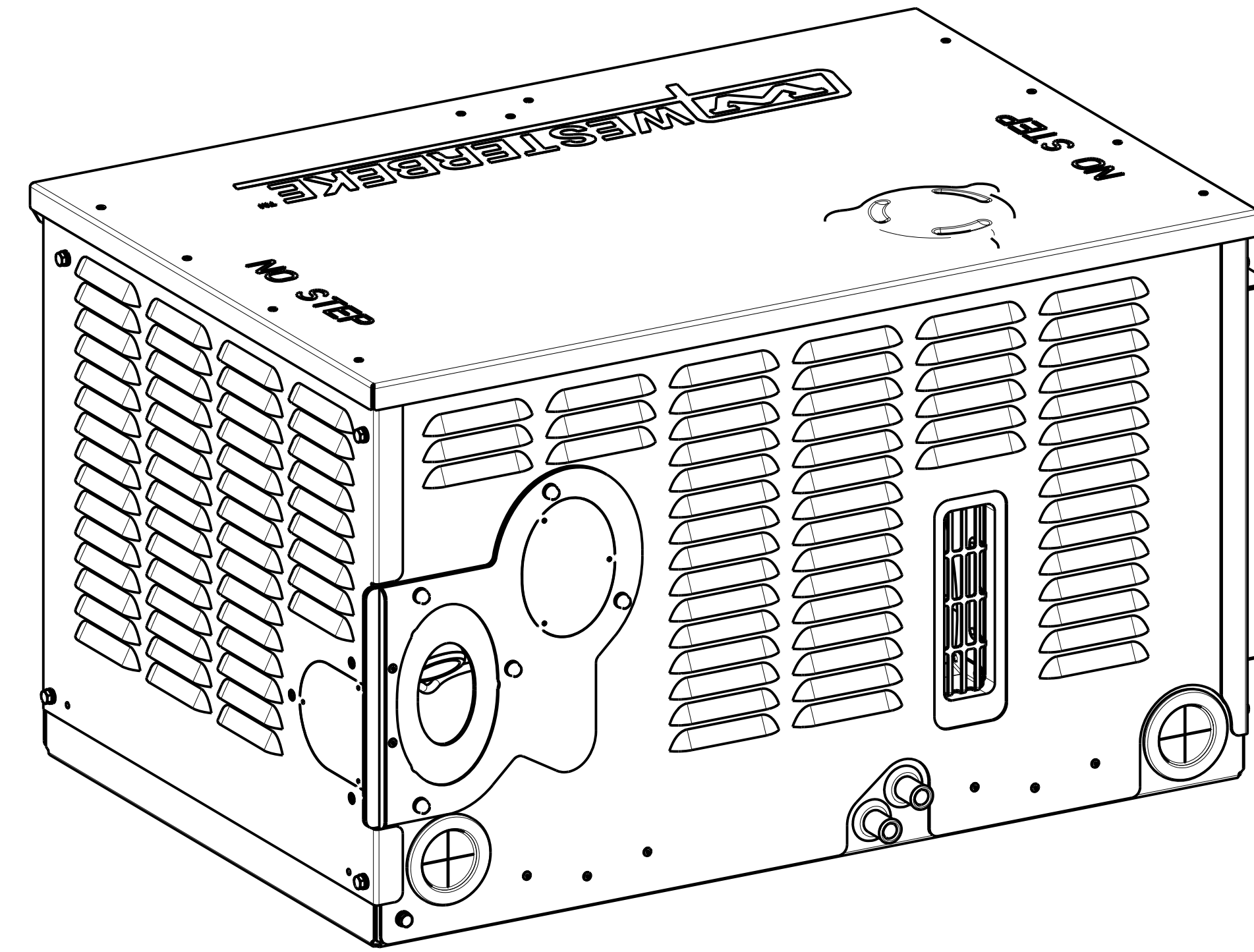
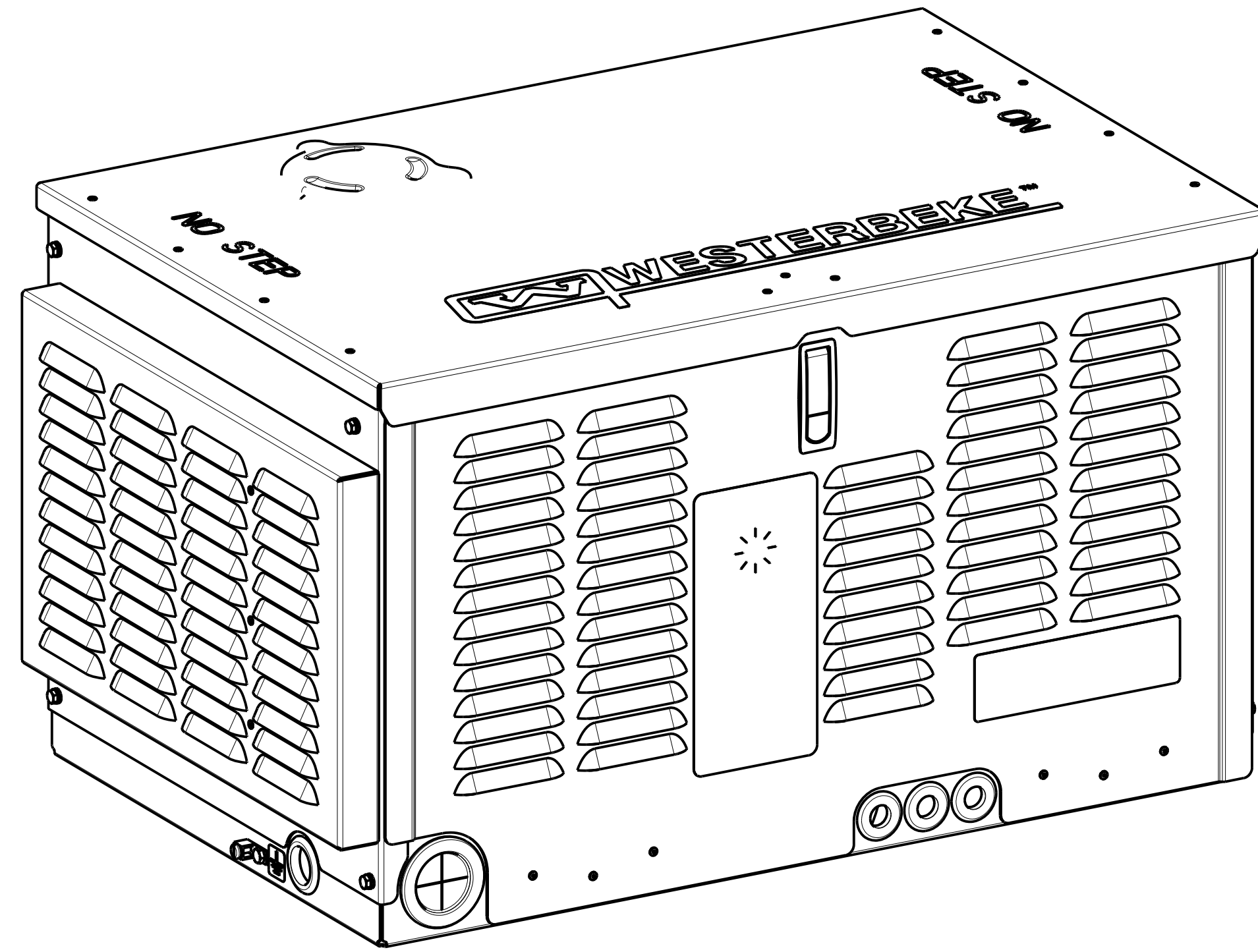
TITLE: DGINSTALL 9.5/7.6 MCGA VENC1,
SIDEX EXHAUST CONNECTION

DRAWN BY: RH	DATE: 04-31-18	MATERIAL:
APPROVED BY:	DATE:	

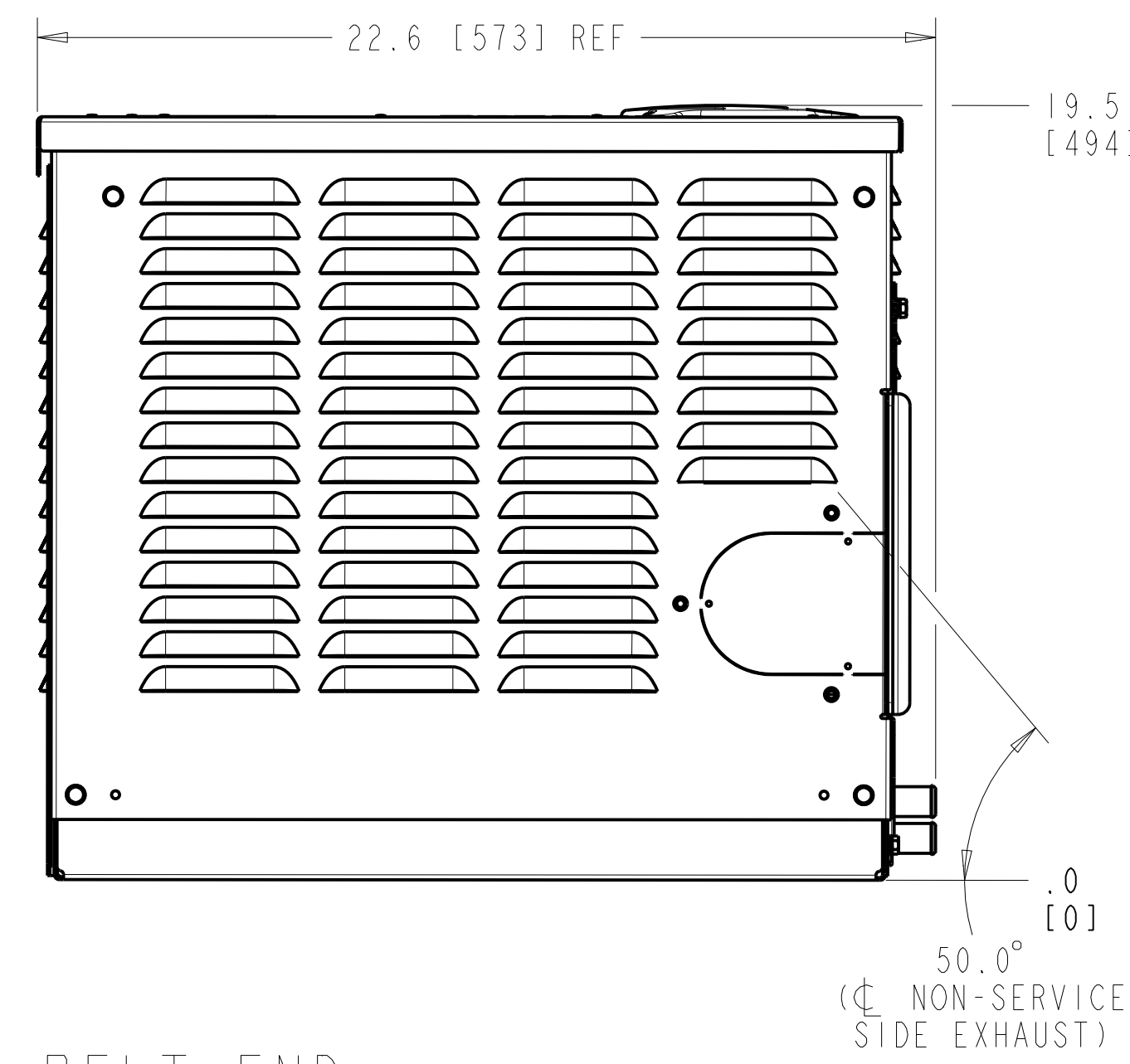
SCALE: 0.250	SIZE: DRAWING NUMBER:	REV.:
SHT. 1 OF 2	E 56826	



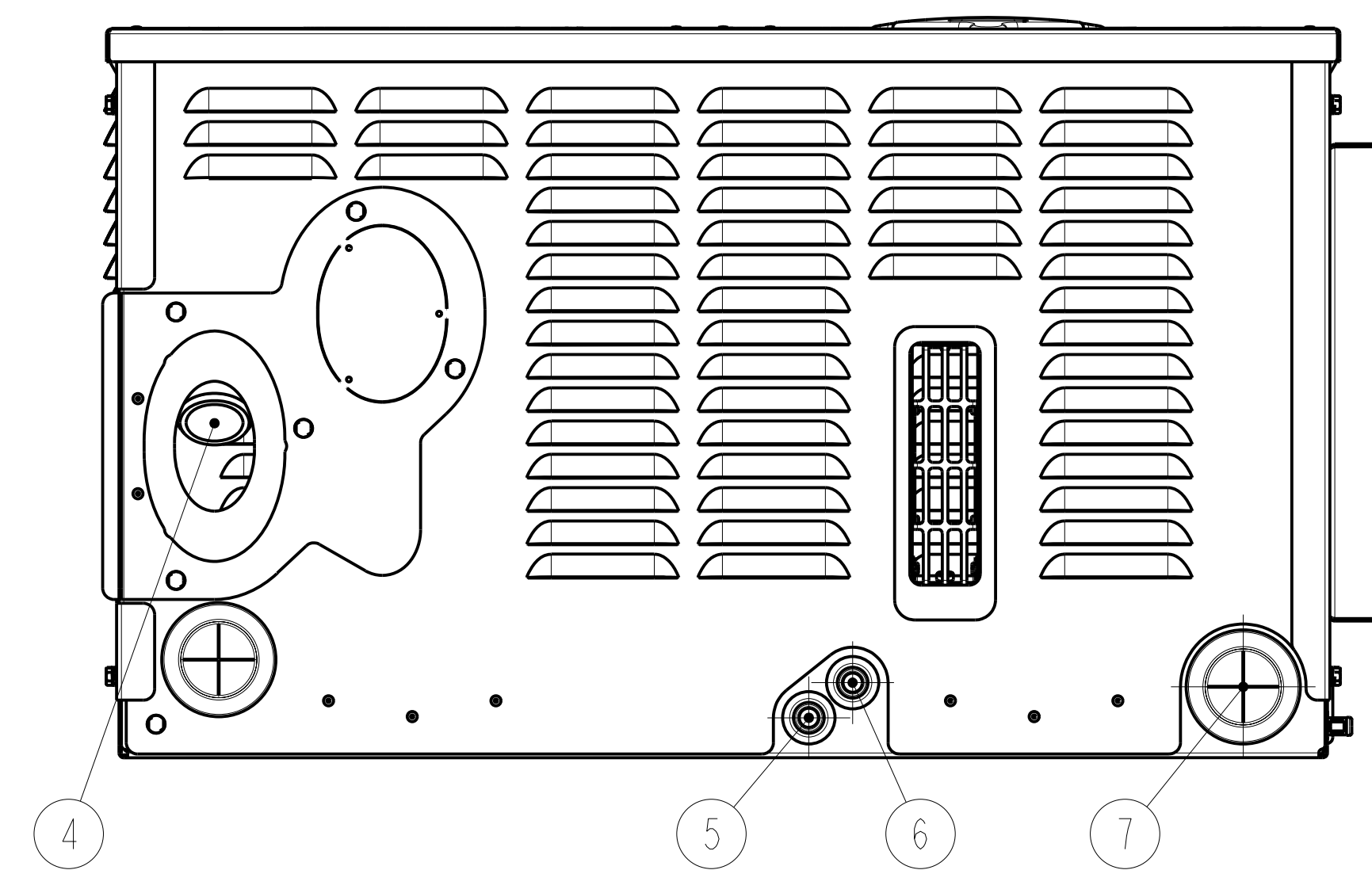
TOP



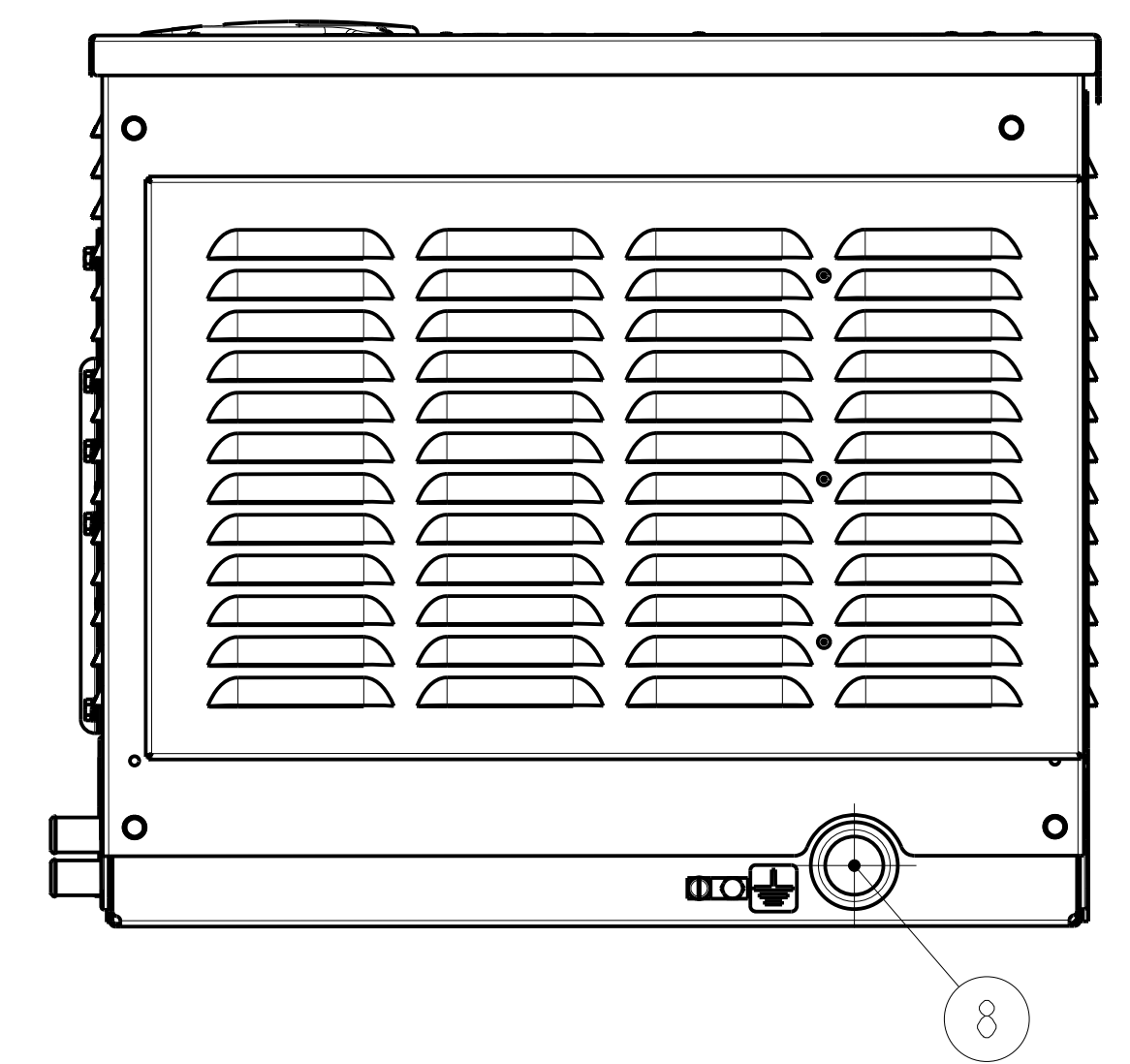
SERVICE SIDE



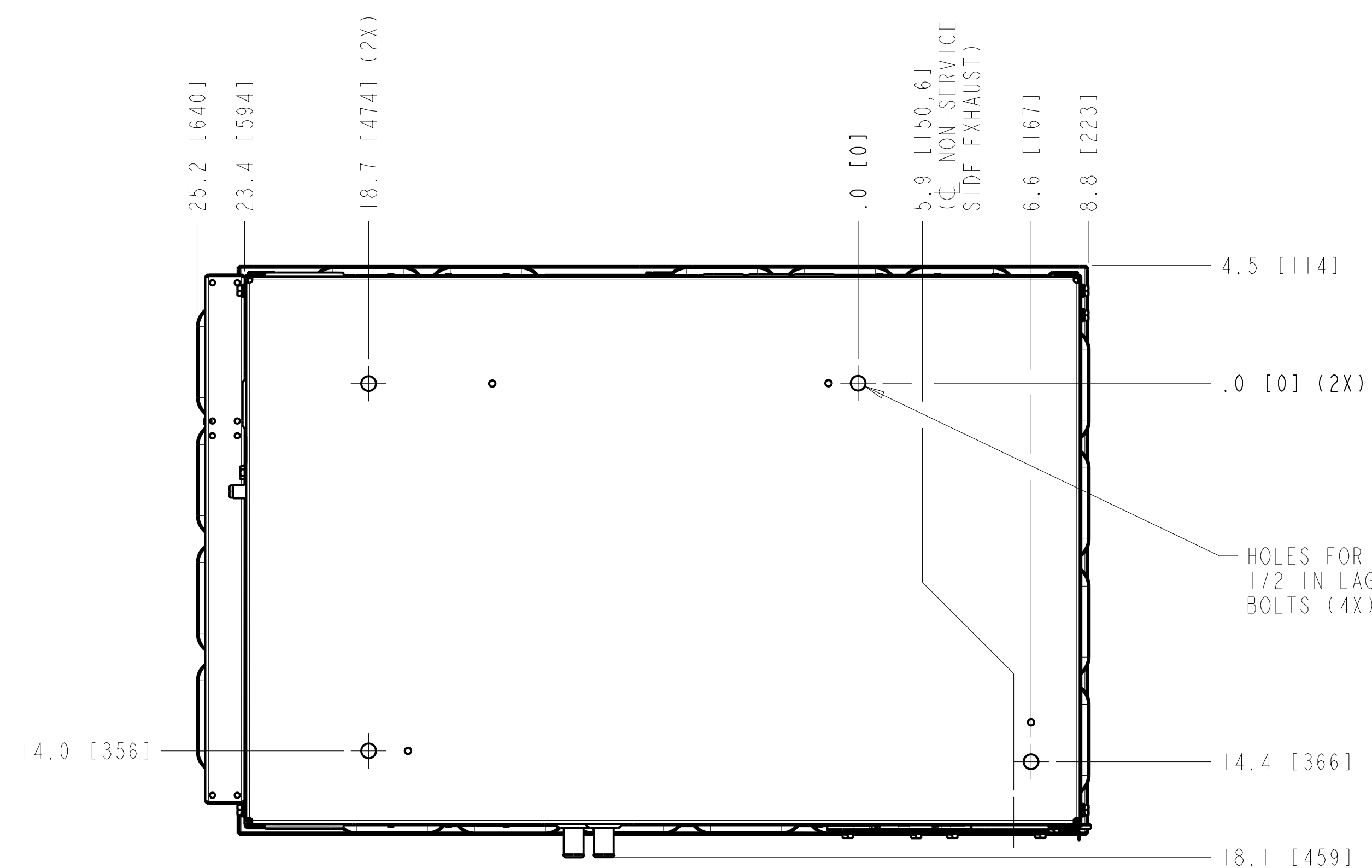
BELT END



NON-SERVICE SIDE



GENERATOR END



BOTTOM

ITEM	CONNECTIONS
1	REMOTE PANEL CABLE PASS-THROUGH FIRE BOY CABLE PASS-THROUGH
2	FIRE EXTINGUISHER PORT
3	BATTERY (NEG) CABLE PASS-THROUGH BATTERY (POS) CABLE PASS-THROUGH FUEL LINE PASS-THROUGH, REQUIRES 1/8-27 NPT MALE TO CONNECT TO GENSET INTERNALLY
4	WET EXHAUST, REQUIRES 2 IN ID HOSE TO CONNECT
5	RAW WATER OUTLET (TO SIPHON BREAK), REQUIRES 3/4 IN ID HOSE TO CONNECT
6	RAW WATER INLET (FROM SIPHON BREAK), REQUIRES 3/4 IN ID HOSE TO CONNECT
7	AC POWER CABLE PASS-THROUGH COOLANT OVERFLOW PASS-THROUGH, REQUIRES 5/16 IN ID HOSE TO CONNECT TO GENSET INTERNALLY
8	RAW WATER INLET PASS-THROUGH, REQUIRES 3/4 IN ID HOSE TO CONNECT TO GENSET INTERNALLY
9	ACCESS TO A/C CIRCUIT BREAKER

NOTES (UNLESS OTHERWISE SPECIFIED)
1. UNIT OF DIMENSIONS: INCH [MM]
2. TOLERANCE: ±.375 [9.5]

WESTERBEKE CORPORATION
TAUNTON, MA. 02780

TITLE
DGINSTALL 9.5/7.6 MCGA VENC, REARX EXHAUST CONNECTION

DRAWN BY: RH DATE: 04-31-18 MATERIAL:

APPROVED BY: DATE:

SCALE: 0.250 SIZE: DRAWING NUMBER: REV:

SHT. 2 of 2 E 56826